

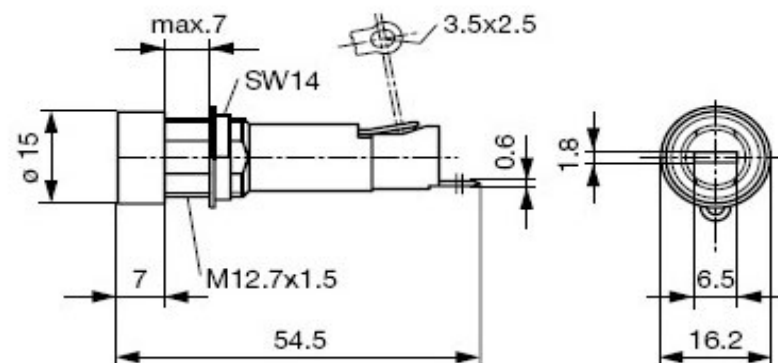
EDCON-COMPONENTS



Technical Discription

Type; Bajonett-Type
 Insulation Resistance: 10m Ω Min 500VDC
 Contact Resistance: 5mΩ @ 1A DC
 Dielectric Strength: AC 3000V for min. 60Sec.
 Rated Current: 20A
 Rated Voltage: 250VAC
 Fuse Type/Size: 5x20mm / 6,3x32mm
 Protection Degree: IP40

Drawing (mm)



Approvals



Knop Type 1

Knop Type 2

Front Panel Fuse Holder

Part No.: **R54114**

DRW:	Jason	CHKD	Wilson	MATL:	Wilson	TOLERANCE	Mason	DATE	24.05.2014	Customer:
APPD:	Schumi			FINISH	Jamy		Sheet No.	1 from 2		

EDCON-COMPONENTS



Ordering Informations

Serie	Spezial Function	Knob Type	ROHS	Packing						
-------	------------------	-----------	------	---------	--	--	--	--	--	--

R54114	-	A	1	R	BU					
---------------	---	----------	----------	----------	-----------	--	--	--	--	--

A= 5x20mm Fuse	1= Knob Type 1	R= ROHS Conform	BU= Bulk-Ware
B= 6,3x32mm Fuse	2= Knob Type 2		

Front Panel Fuse Holder
Part No.: R54114
Customer:

DRW:	Jason	CHKD	Wilson	MATL:	Wilson	TOLERANCE	Mason	DATE	24.05.2014
APPD:	Schumi			FINISH	Jamy		Sheet No.	2 from 2	